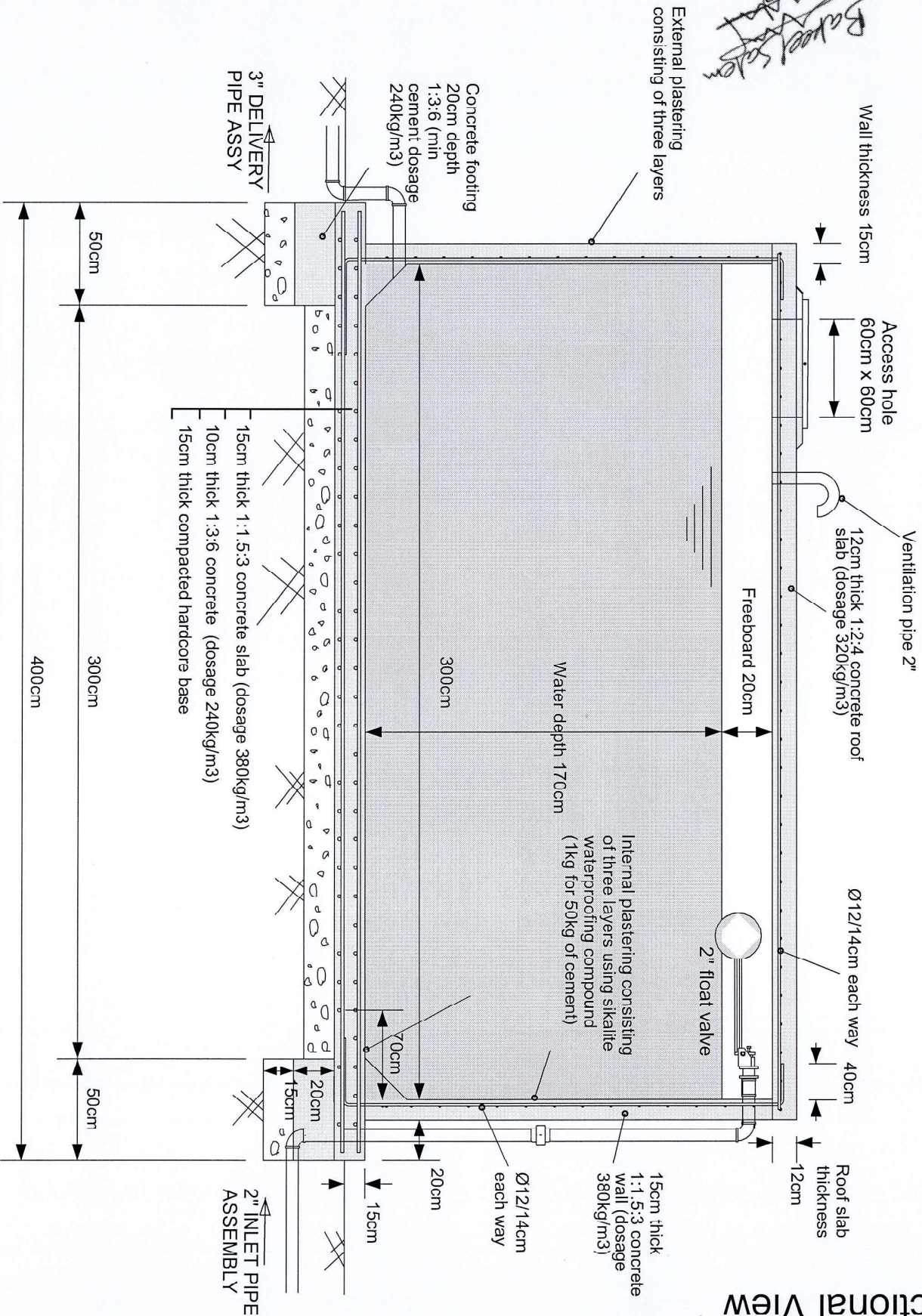






Sectional View



*Bakel Salem*

DRAWN BY

APPROVED BY  
WASH coordinator  
Bakel Salem - 11/10/16 metres  
UNITS  
SHEET 2

SCALE  
1:20

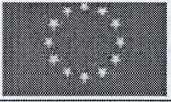


ACTED

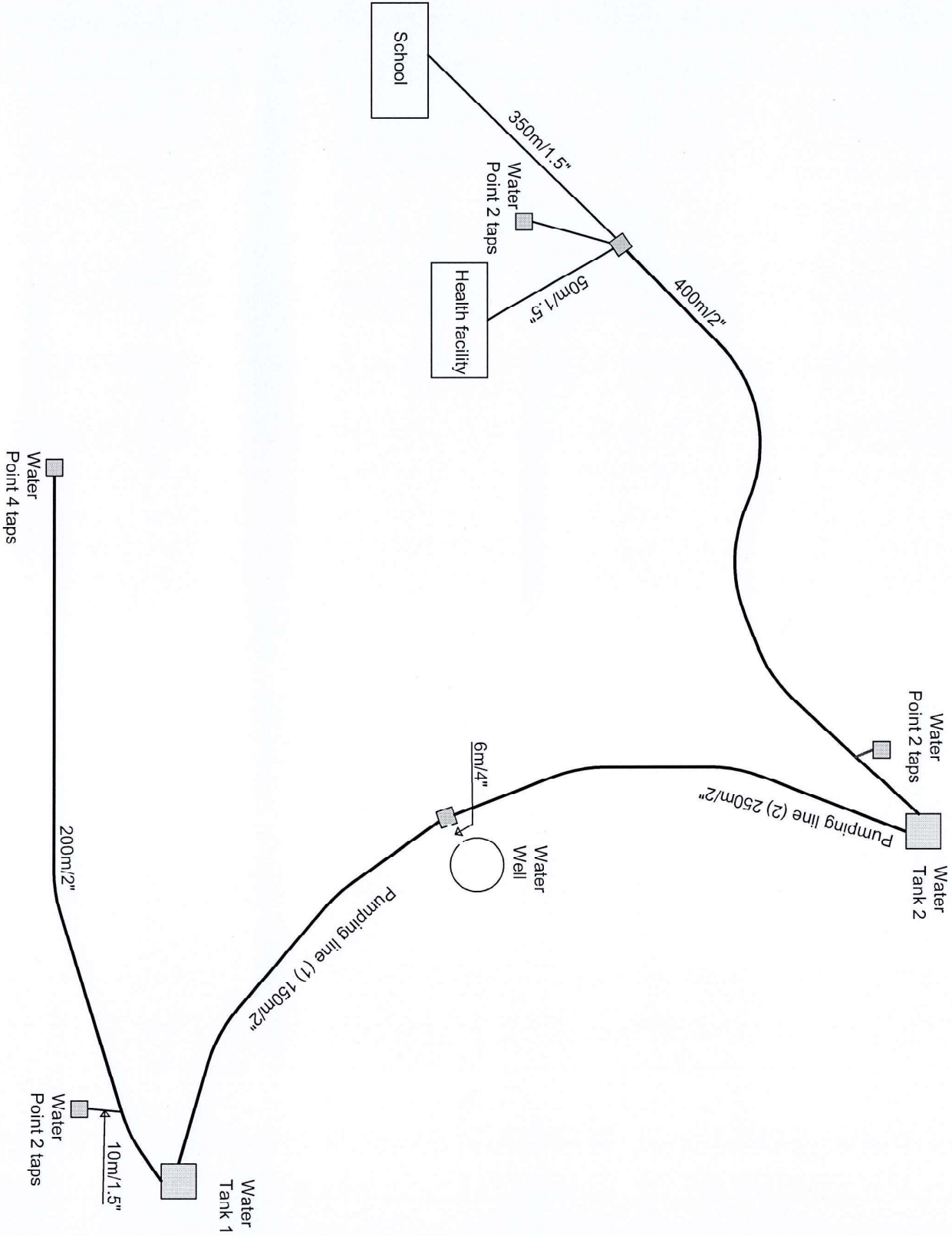


Funded by

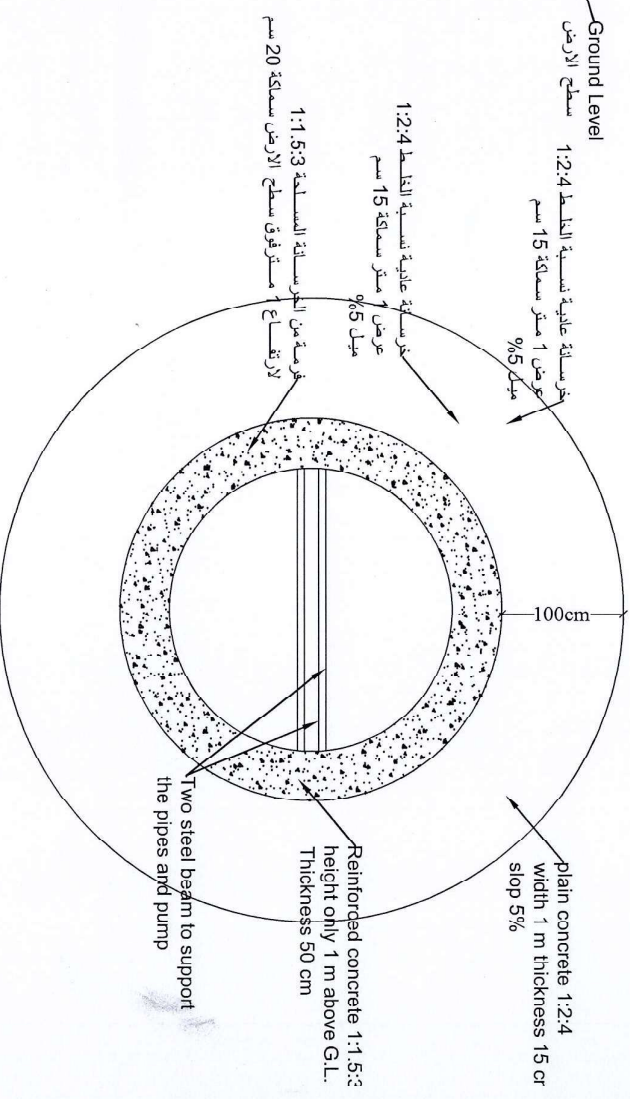
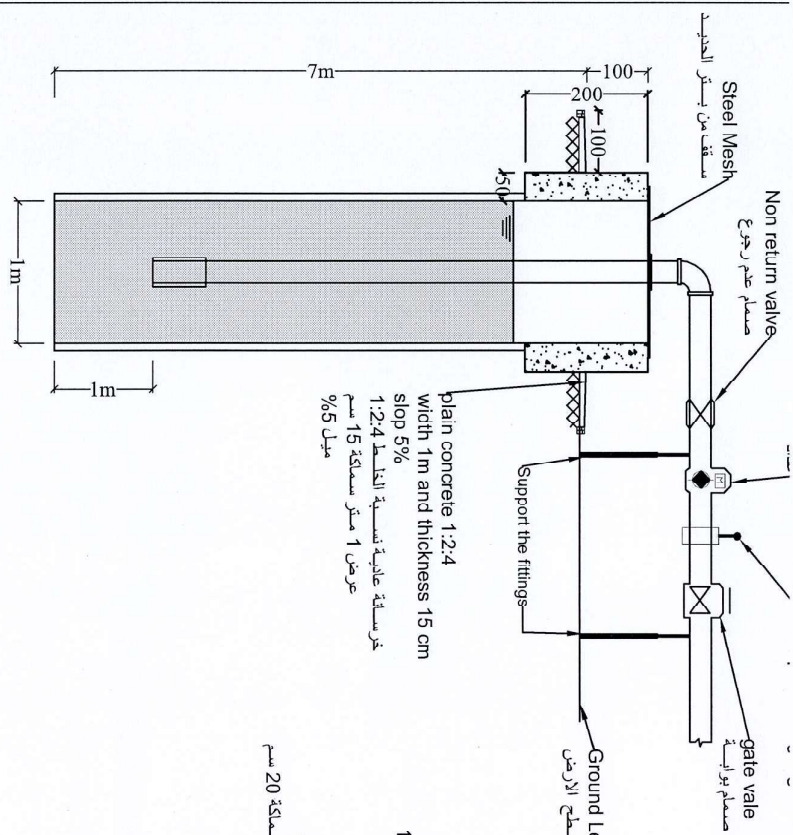
*Bakel Salem*



# Plan View



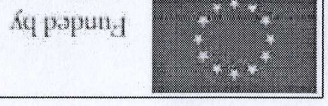




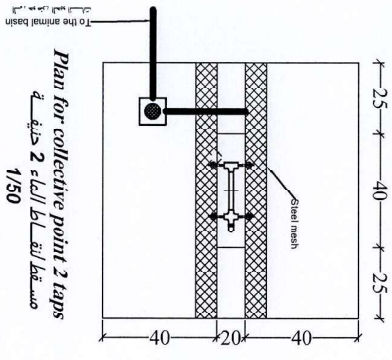
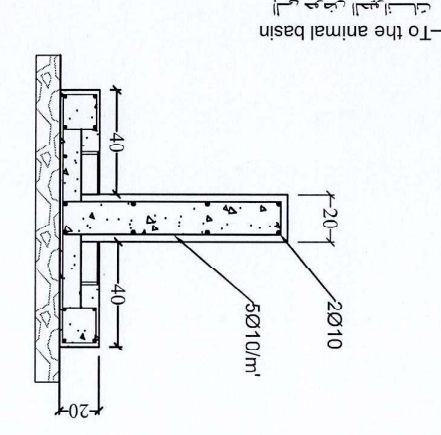
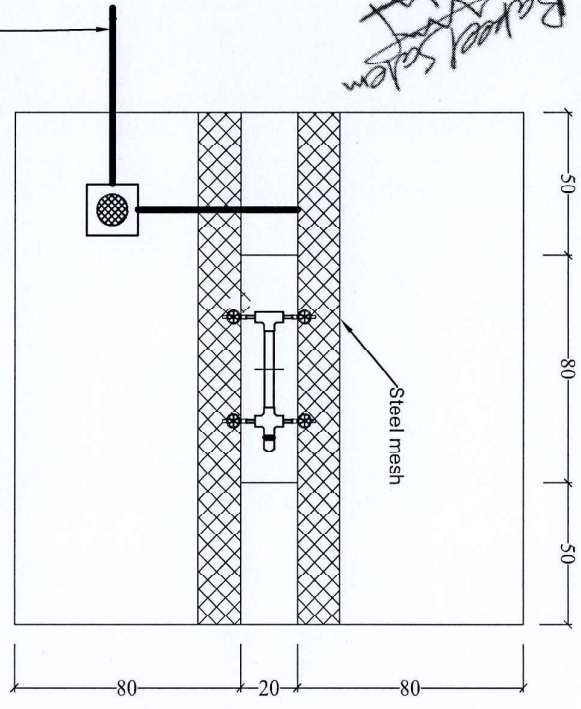
Vertical section of shallow well  
scale 1/50

Plane of shallow well  
scale 1/25

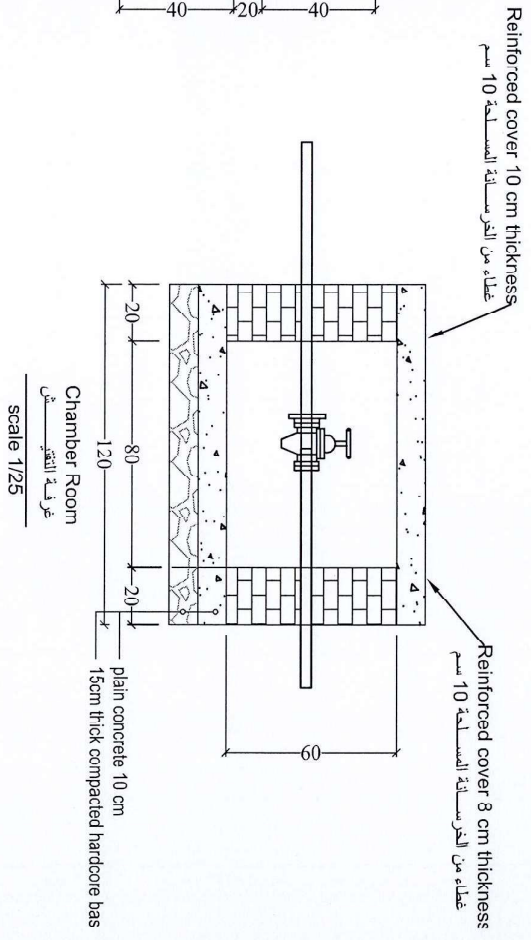
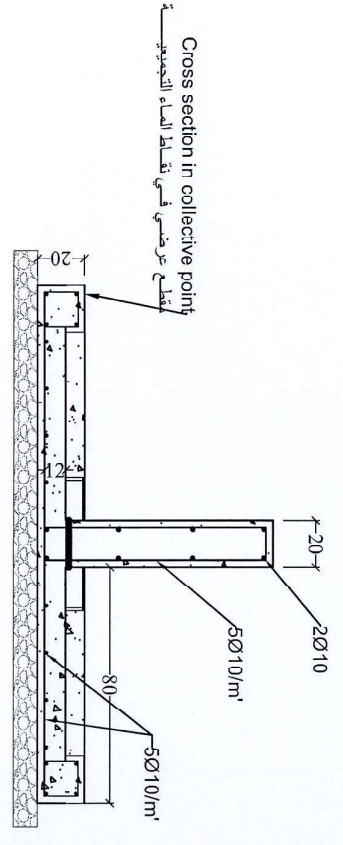
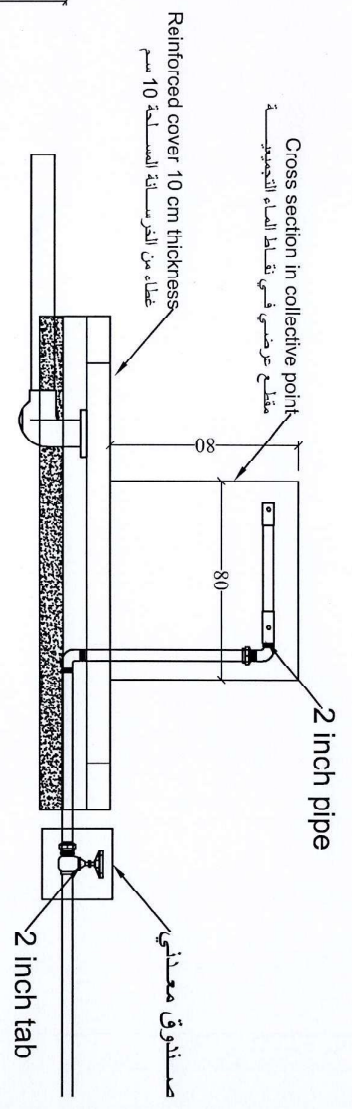
*Bakel Salem*



*Bakel Salem*

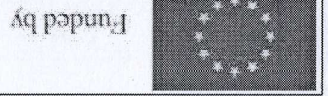


Plan for collective point 2 taps  
مسقط بالعدد 2 حنية  
1/50

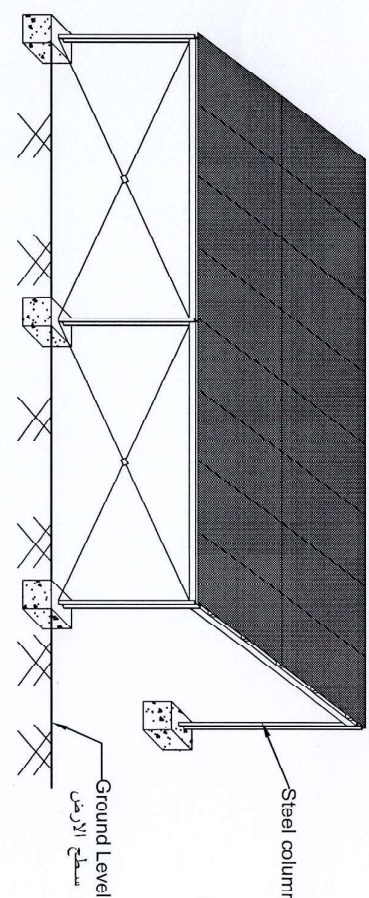


Chamber Room  
غرفة التجميع  
scale 1/25

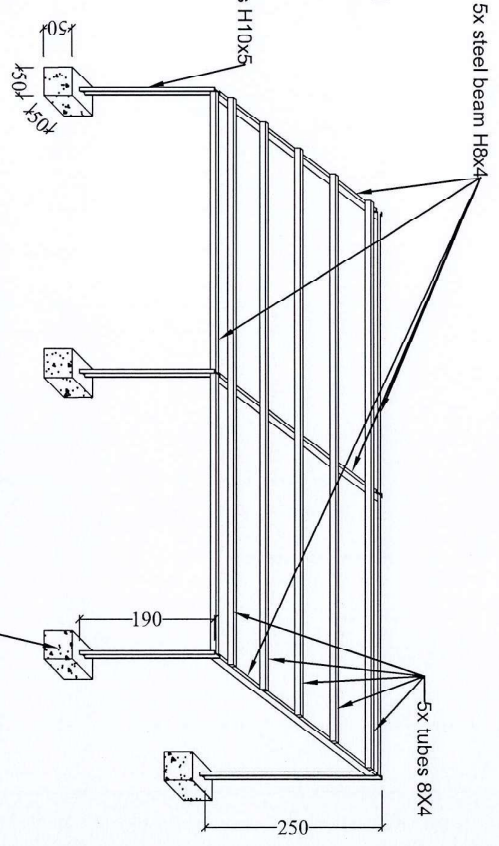
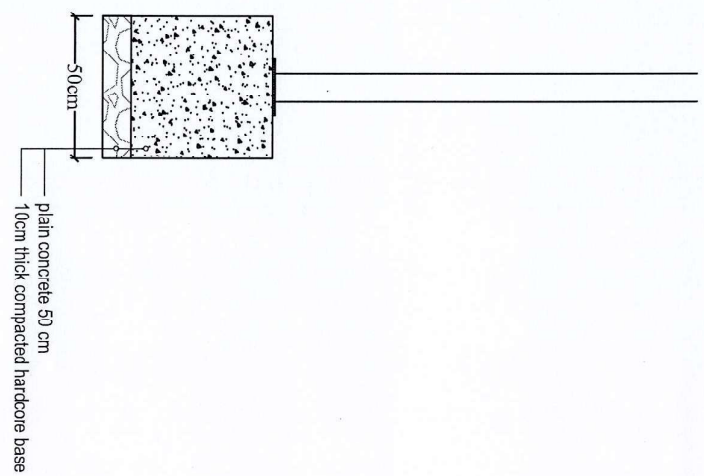




Funded by



Bakeel Salem



Steel Base for Solar panels  
الإطار المعنوي للمصفائح الشمسية

كل ستة اعمدة تحمل 16 صفيحة شمسية